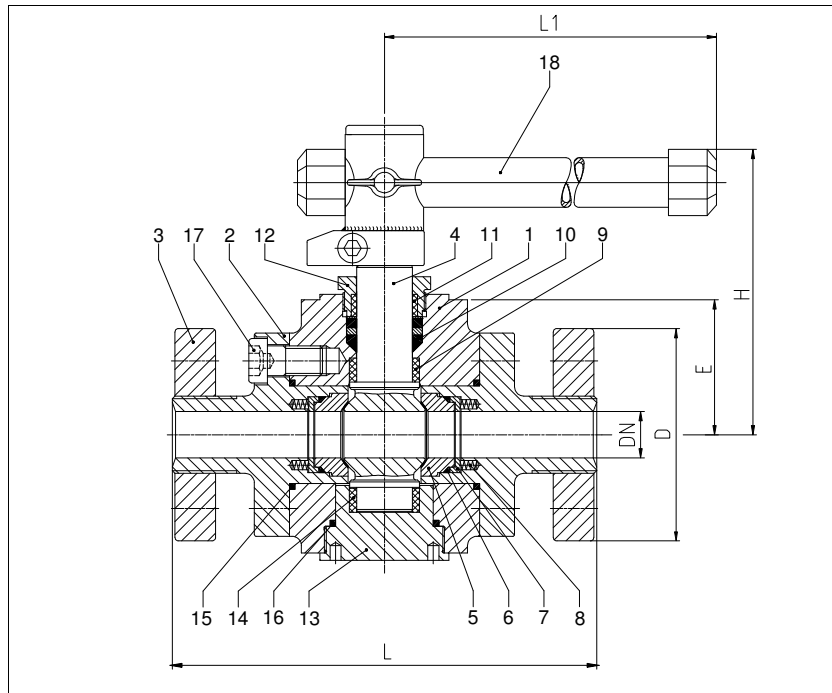


BALL VALVES INTEC

K811, DN16/DN24/DN30/DN45, PN325
trunnion mounted ball, metal seated,
both sides spring loaded seat rings



3-piece high-pressure ball valve with flanges
full bore
face to face acc. to producers standard
flanges acc. to BASF-WN 18 011

Specification:

3-piece high-pressure ball valve, flanges acc. to BASF-WN 18 011, face to face dimensions acc. to producers standard, full bore, ball and stem one unit, blow-out-proof stem, body material stainless steel (1.4571/1.4404) or carbon steel (1.0460), antistatic device, free of non ferrous metals, seat 1.4571/1.4404 hard facing metal coated, stem packing cone ring construction acc. to temperature use, dynamic loaded adjustable, top flange DIN EN ISO 5211, approved by PED, certified acc. to GERMAN clean air act VDI 2440, with lever.

Marking: INTEC K811

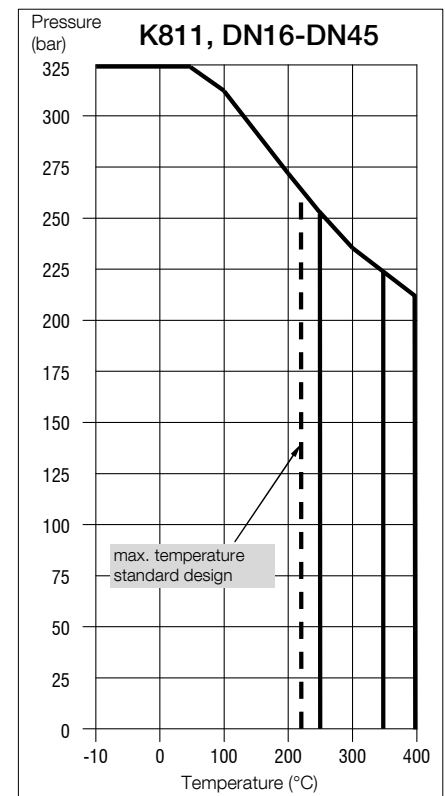
No.	Part	Material	Material
High temperature design			
1	body	1.0460	1.4571/1.4404
2	cap	1.0460	1.4571/1.4404
3	screwed flange	1.7258	1.7258
4	ball-stem unit	250°C 350°C 400°C	250°C 350°C 400°C
	hard facing metal coated	1.4462 1.4313 1.4980	1.4462 1.4980 1.4980
5	seat	1.4571/1.4404 hard facing metal coated	
6	bearing ring seal	Graphite	
7	follower ring	1.4571/1.4404	
8	spiral spring	Inconel X750	
9	below stem bearing	E-carbon	
10	upper stem seal	1.4571/1.4404/Graphite	
11	upper stem bearing	E-carbon	
12	stuffing box screw	1.4571/1.4404	
13	bearing neck	1.4571/1.4404	
14	trunnion bearing	E-carbon	
15	body seal	Graphite	
16	trunnion seal	Graphite	
17	hex. nut	1.7258	
18	lever	1.4408/1.4308/steel zincplated	
Standard design			
8	spiral spring	1.4401	
9	below stem bearing	PEEK	
10	upper stem seal	KF/Graphite/PEEK	
11	upper stem bearing	PEEK	
15	body seal	KF	
16	trunnion seal	KF	

Dimensions

DN mm	PN	dimensions (mm)			L	D	E	top flange ISO	torque Nm*	weight kg
		H	L1	L						
16	325	139.0	300	230	105	62.0	F07	186	13,6	
24	325	185.5	500	260	115	73.0	F10	305	19.0	
30	325	201.5	700	300	135	83.0	F12	442	30.5	
45	325	216.0	700	350	165	97.5	F14	717**	49.3	

Ordering example:

INTEC K811, DN24, PN325, 1.0460, high temperature, stem 1.4980



* Necessary torque measured with treated water at ΔP acc. to pressure class and room temperature.

** Gearbox recommended.

Other flange connections on request.