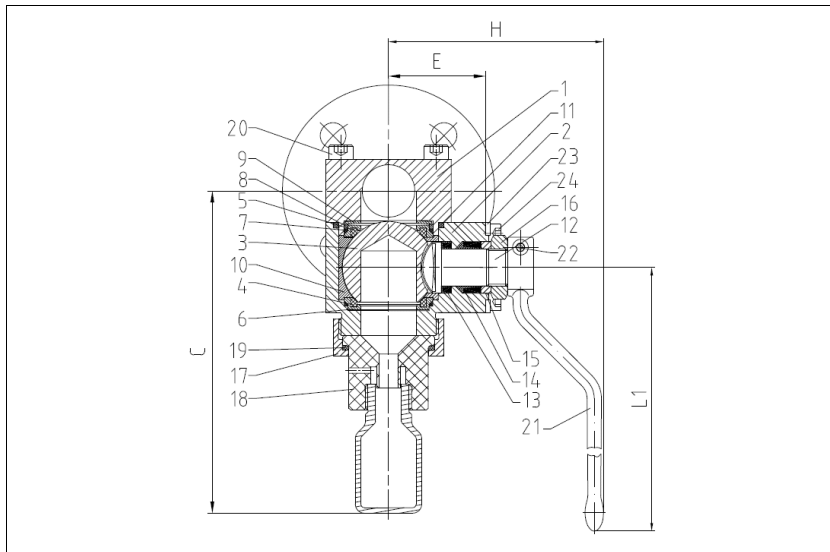


# BALL VALVES INTEC

K740, DN15 - DN200, PN 16/40

Sample volume per switch cycle 40, 50 or 70 ml,  
soft seated



No.	Part	Material
design PN 16		
1	adapter	1.4571/1.4404/1.4408
2	body	1.4571/1.4404/1.4408
3	ball	1.4571/1.4404
4	seat exit port	KFM
5	seat entry port	KFM
6	seat bearing ring	1.4571/1.4404
7	bearing ring seal	KF
8	follower ring	1.4571/1.4404
9	plate spring	Inconel 718
10	spherical cap	1.4571/1.4404
11	body seal	KF
12	stem	1.4462
13	below seal	KFGN/Graphite
14	upper seal	KFAM/Graphite
15	bearing	PEEK
16	hex. nut self-locking	A2/1.4301
17	cap nut	1.4301
18	bottle adapter	KFGN
19	o-ring	Viton
20	allen screw	A4-70
21	lever	1.4408
22	allen screw	A2-70
23	stopper	1.4301
24	allen screw	A2-70
design PN 40		
4	seat exit port	PEEK

## Dimensions

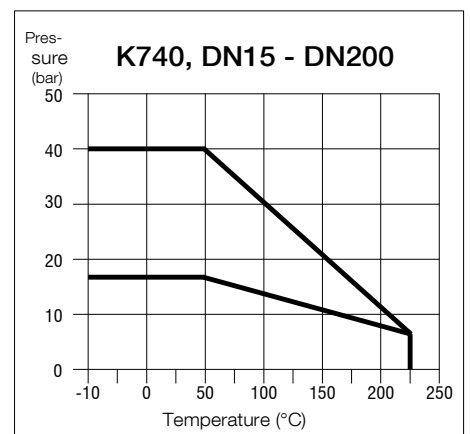
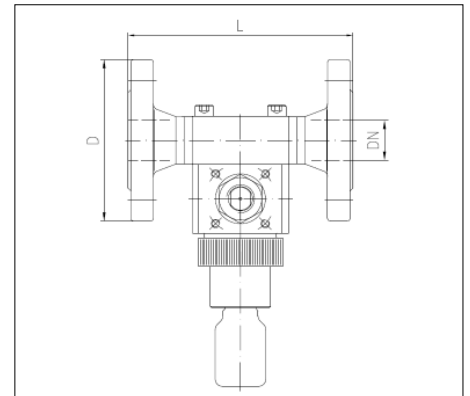
DN mm	PN	dimensions (mm)			C sample bottle			E	50 ml (GL32)	100 ml (GL45)	250 ml (GL45)
		H	L1	L (GR.1)	L (GR.27)	D					
15	16/40	125.5	300	160**	-	95	66.5	227	238	275	
20	16/40	125.5	300	160**	-	105	66.5	227	238	275	
25	16/40	125.5	300	160	-	115	66.5	227	238	264	
32	16/40	125.5	300	180	-	140	66.5	228	239	272	
40	16/40	125.5	300	200	140	150	66.5	231	242	275	
50	16/40	125.5	300	230	150	165	66.5	237	248	281	
65	16/40	225.5*	300	290	170	185	66.5	244	255	288	
80	16/40	225.5*	300	310	180	200	66.5	252	263	296	
100	16/40	225.5*	300	350	190	200/235	66.5	269	280	313	
125	16/40	225.5*	300	-	325	250/270	66.5	284	295	328	
150	16/40	225.5*	300	-	350	285/300	66.5	299	310	343	
200	16/40	225.5*	300	-	400	340/375	66.5	334	345	378	

Sampling device ball valve with flanges acc. to EN 1092  
connection thread for sample bottle acc. to DIN 168 GL 25, GL 32, GL 45 full bore  
face to face acc. to EN 558, GR. 1  
face to face acc. to EN 558, GR. 27

## Specification:

Sampling device ball valve with flanges acc. to EN 1092, connection thread for sample bottle acc. to DIN 168 GL 25, GL 32, GL 45, face to face dimensions acc. to EN 558, GR.1/GR.27, full bore, blow-out-proof stem, body material stainless steel (1.4571/1.4404/1.4408), antistatic device, free of non ferrous metals, ball with pocket hole for a defined sample volume of 40, 50, 70 ml, cavity reduced through spherical cap, seat fully chambered, top flange DIN EN ISO 5211, approved by PED, certified acc. to GERMAN clean air act VDI 2440, with lever.

Marking: INTEC K740



\* incl. 100 mm stem extension.

Protection box, safety cover and/or heating jacket on request.

\*\* special lengths

- special material on request.

**Ordering example:**  
INTEC K740, DN50, PN16, GR.1,  
50 ml, GL 32