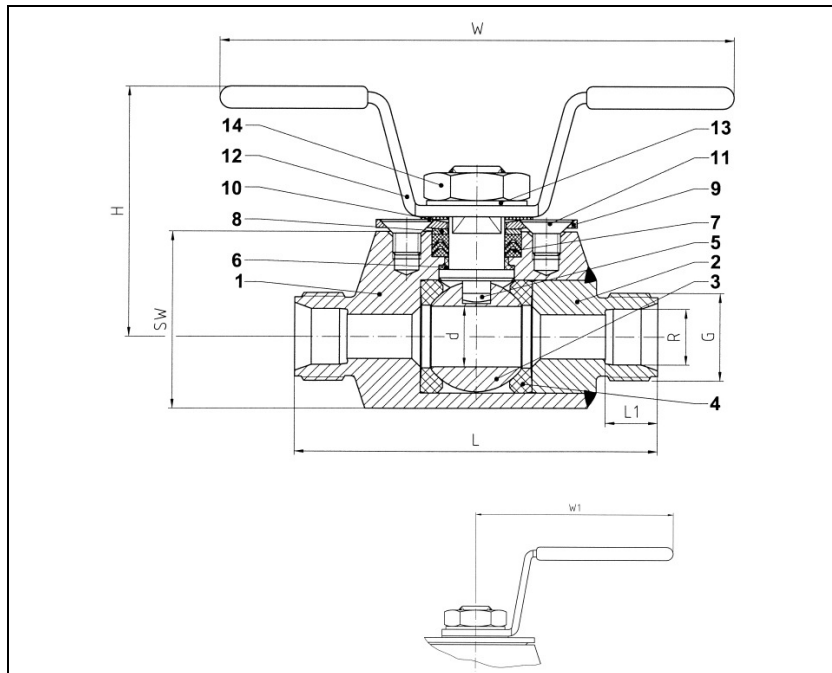


BALL VALVES INTEC

K150, DN8 – DN15, PN100/160/250



Mini plant ball valve for clamping ring connection
face to face dimensions acc. to producers standard

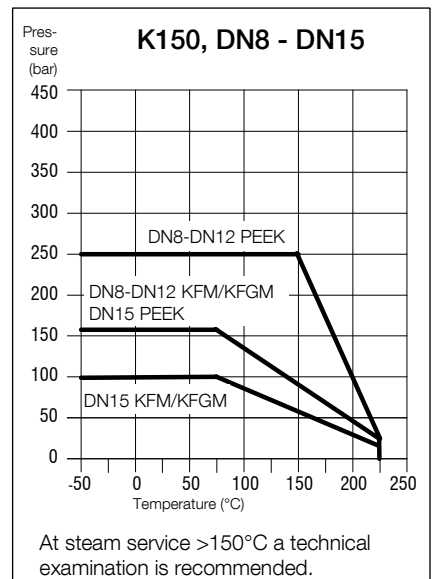
Specification:

One-piece ball valve for clamping ring connection, blow-out-proof-stem, body material stainless steel (1.4571/1.4404), free of non ferrous metals, seat KFM/KFGM or PEEK for higher pressures and temperatures, stem packing KF chevron ring, certified acc. to GERMAN clean air act VDI 2440, with lever.

Marking: INTEC

Type: K150

No.	Part	Material code
1	body	1.4571/1.4404
2	cap	1.4571/1.4404
3	ball	1.4571/1.4404
4	seat	KFM/KFGM/PEEK-KFM
5	stem	1.4571/1.4404
6	friction washer	KFSM/PEEK
7	chevron ring/packing	KFM/Graphite
8	washer	1.4301/1.4571/1.4404
9	gland	1.4310
10	thrust washer	PEEK
11	countersunk screw	A2
12	lever	1.4301/1.4571/plasticised PVC
13	serrated lock washer	A2
14	hex. nut	A2



Dimensions

DN mm	R	G in inch	PN	dimensions (mm)						SW* mm
				d	L	L1	H	W	W1	
8	6	7/16	160	7.5	60	7.9	45	90		27
8	6	7/16	250	7.5	60	7.9	45	90		27
8	8	1/2	160	7.5	60	8.6	45	90		27
8	8	1/2	250	7.5	60	8.6	45	90		27
8	10	5/8	160	7.5	65	9.5	45	90		27
8	10	5/8	250	7.5	65	9.5	45	90		27
12	12	3/4	160	11	65	12.5	49	90		32
12	12	3/4	250	11	65	12.5	49	90		32
15	16	7/8	100	14	80	14.5	53		100	41
15	16	7/8	160	14	80	14.5	53		100	41
15	18	1	100	14	80	14.5	53		100	41
15	18	1	160	14	80	14.5	53		100	41

Gearbox with connection acc. to DIN EN ISO 5211 is possible.

* Width across in mm

Ordering example:
INTEC K150, DN 12, R 12, KFGM,
PN160, 1.4571