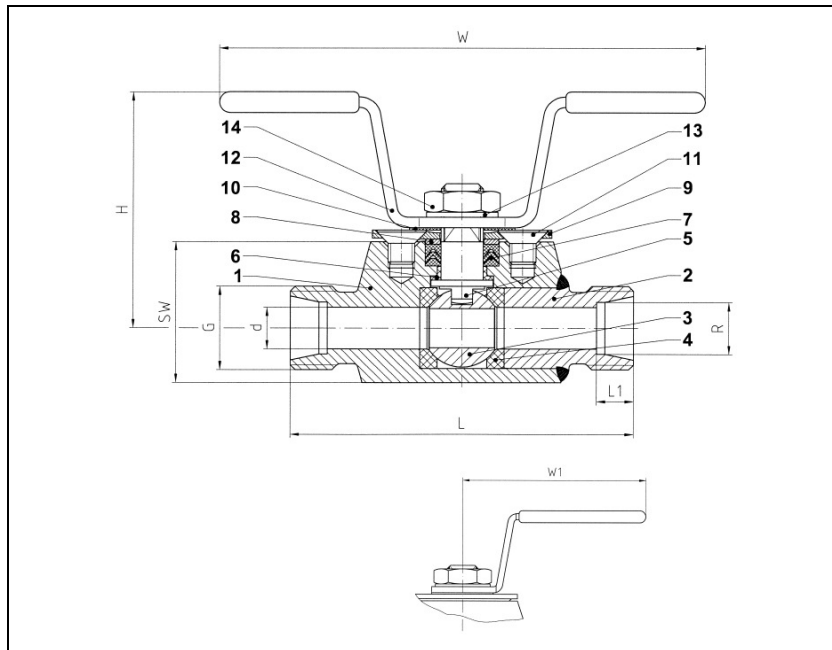


BALL VALVES INTEC

K140, DN8 – DN15, PN100/160/250



Mini plant ball valve with pipe screwing light/heavy series acc. to DIN 2353
face to face dimensions acc. to producers standard

Specification:

One-piece ball valve with pipe screwing light/heavy series acc. to DIN 2353, blow-out-proof-stem, body material stainless steel (1.4571/1.4404), free of non ferrous metals, seat KFM/KFGM or PEEK for higher pressures and temperatures, stem packing KF chevron ring, certified acc. to GERMAN clean air act VDI 2440, with lever.

Marking: INTEC

Type: K140

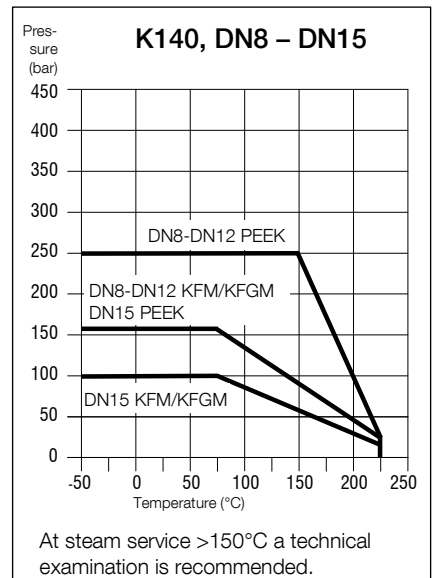
No.	Part	Material code
1	body	1.4571/1.4404
2	cap	1.4571/1.4404
3	ball	1.4571/1.4404
4	seat	KFM/KFGM/PEEK-KFM
5	stem	1.4571/1.4404
6	friction washer	KFSM/PEEK
7	chevron ring	KFM
8	washer	1.4301/1.4571/1.4404
9	gland	1.4310
10	thrust washer	PEEK
11	countersunk screw	A2
12	lever	1.4301/1.4571/plasticised PVC
13	serrated lock washer	A2
14	hex. nut	A2

Dimensions

DN mm	R	G	PN	dimensions (mm)						SW* mm
				d	L	L1	H	W	W1	
8	6-L	M12 x 1.5	160	7.5	60	7	45	90		27
8	6-S	M14 x 1.5	160	7.5	60	7	45	90		27
8	6-S	M14 x 1.5	250	7.5	60	7	45	90		27
8	8-L	M14 x 1.5	160	7.5	60	7	45	90		27
8	8-S	M16 x 1.5	160	7.5	60	7	45	90		27
8	8-S	M16 x 1.5	250	7.5	60	7	45	90		27
8	10-L	M16 x 1.5	160	7.5	65	7	45	90		27
8	10-S	M18 x 1.5	160	7.5	65	7.5	45	90		27
8	10-S	M18 x 1.5	250	7.5	65	7.5	45	90		27
12	12-L	M18 x 1.5	160	11	65	7	49	90		32
12	12-S	M20 x 1.5	160	11	65	7.5	49	90		32
12	12-S	M20 x 1.5	250	11	65	7.5	49	90		32
12	15-L	M22 x 1.5	160	11	70	7	49	90		32
15	15-L	M22 x 1.5	100	14	75	7	53		100	41
15	15-L	M22 x 1.5	160	14	75	7	53		100	41
15	18-L	M26 x 1.5	100	14	75	7.5	53		100	41
15	18-L	M26 x 1.5	160	14	75	7.5	53		100	41

Gearbox with connection acc. to DIN EN ISO 5211 is possible.

* Width across in mm



Ordering example:
INTEC K140, DN 12, 12-L, KFGM,
PN160, 1.4571